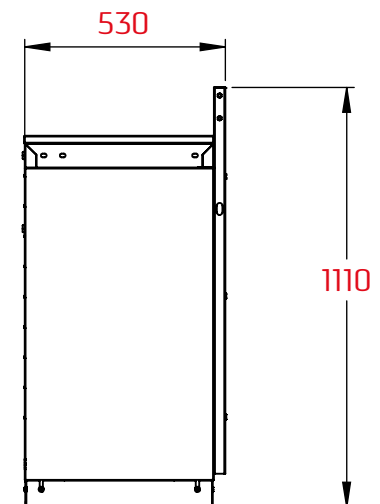
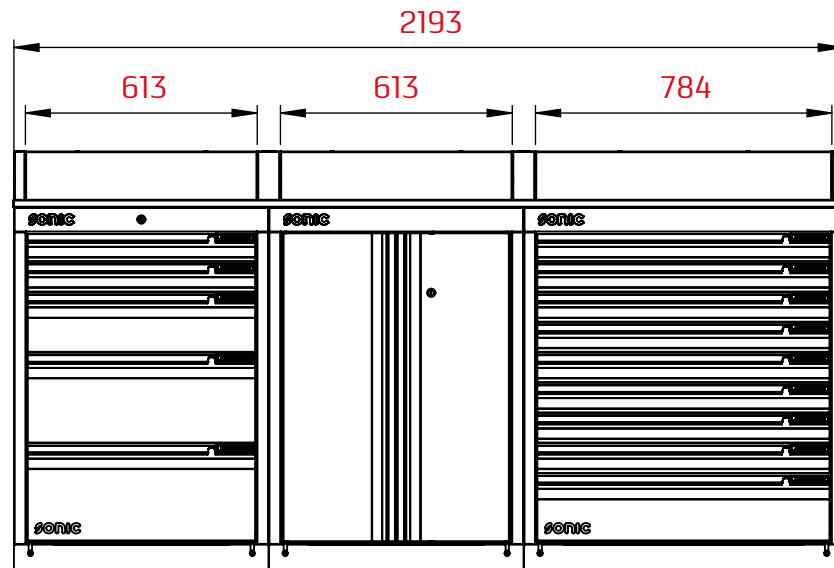


#4930501  
#4930401



**Note:** The technical drawings available for download are intended for reference purposes only.  
Dimensions are in millimeters (mm). Actual product specifications may vary without notice.